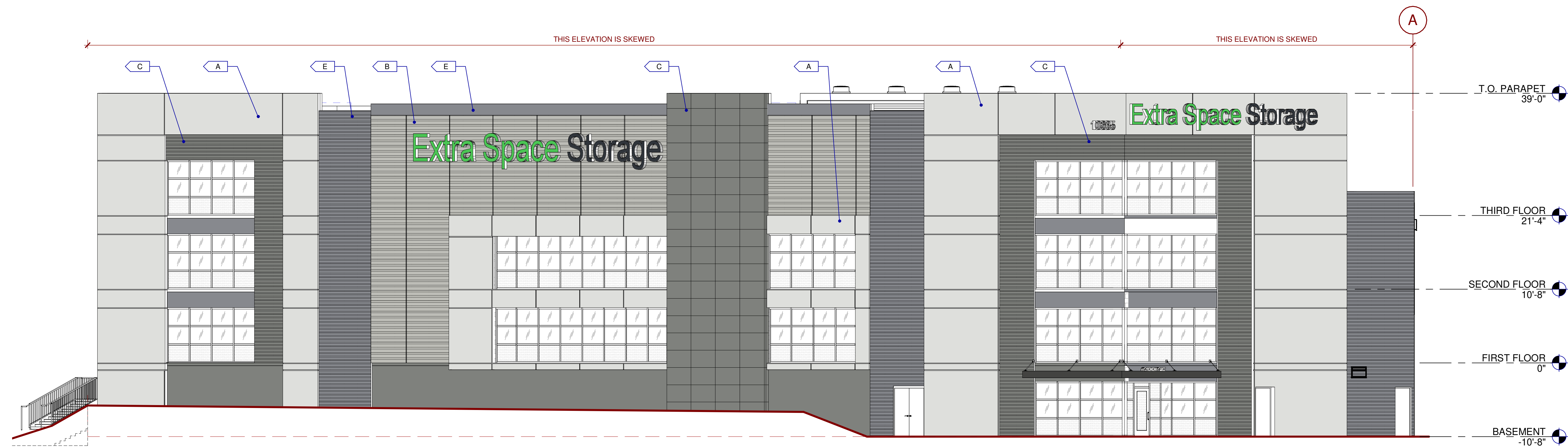
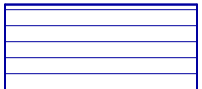




**SOUTH EXTERIOR ELEVATIONS** 1  
 SCALE: 1/8" = 1'-0"



**WEST EXTERIOR ELEVATION** 2  
 SCALE: 1/8" = 1'-0"

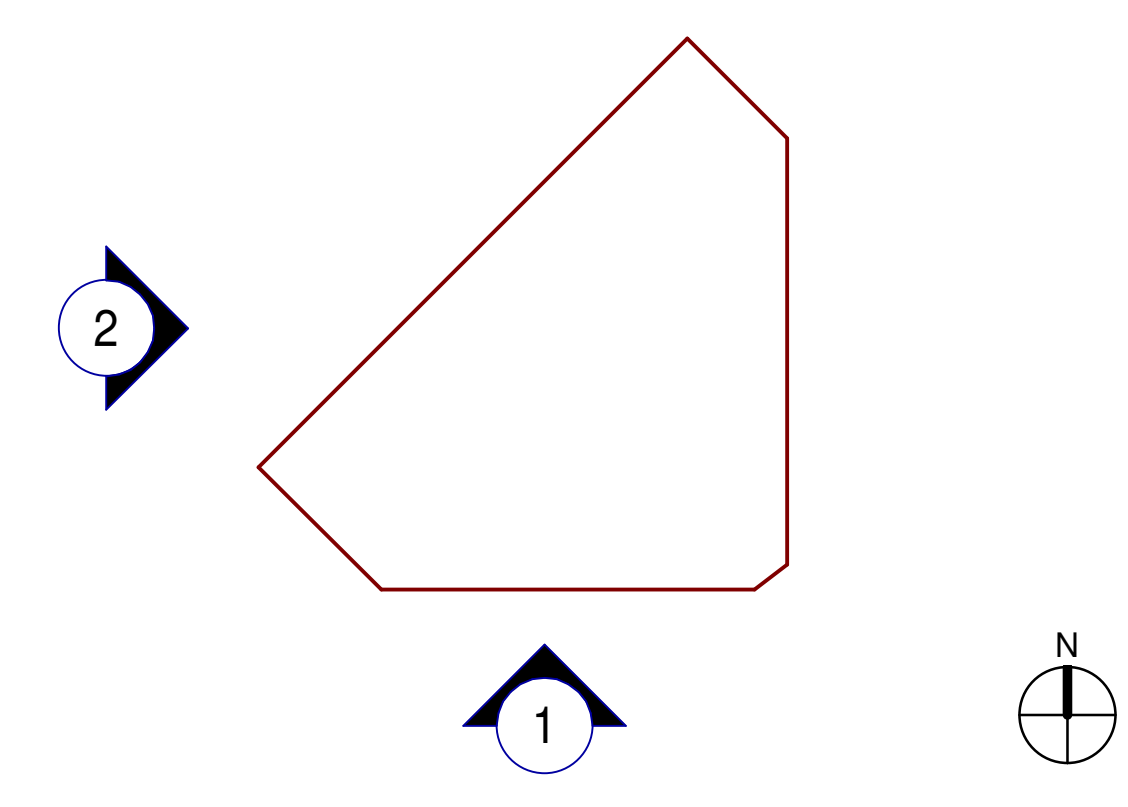
- MATERIALS:**
-  CORRUGATED METAL PANEL
  -  VISION GLASS
  -  TEMPERED GLASS

ALL GLASS USED ON THE ENVELOPE OF THE BUILDING TO BE:  
 XXXXXX  
 U FACTOR = 0.28 AND SHGC = 0.28  
 GLASS WIND LOAD RESISTANCE CALCULATIONS ARE UNDER SEPARATE PERMIT

- COLORS:**  
 PROVIDE 6" x 4" WIDE PAINT COLOR MOCK-UP FULL HEIGHT OF BUILDING FOR OWNER/ARCHITECT REVIEW.
-  BASE COLOR: NEBULOUS WHITE
  -  SECONDARY COLOR: ARGOS
  -  ACCENT COLOR: CITYSCAPE
  -  ACCENT COLOR: IRON ORE
  -  ACCENT COLOR: SILVERSMITH

**KEYNOTES:**   
 SEE SHEET A010 FOR GENERAL NOTES

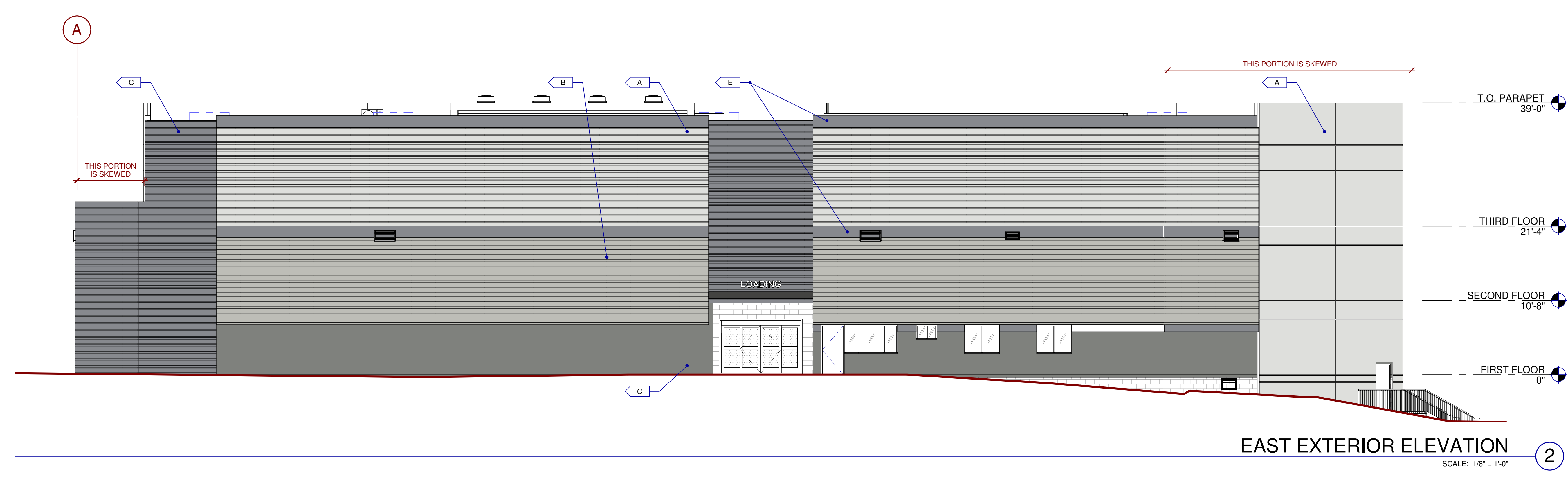
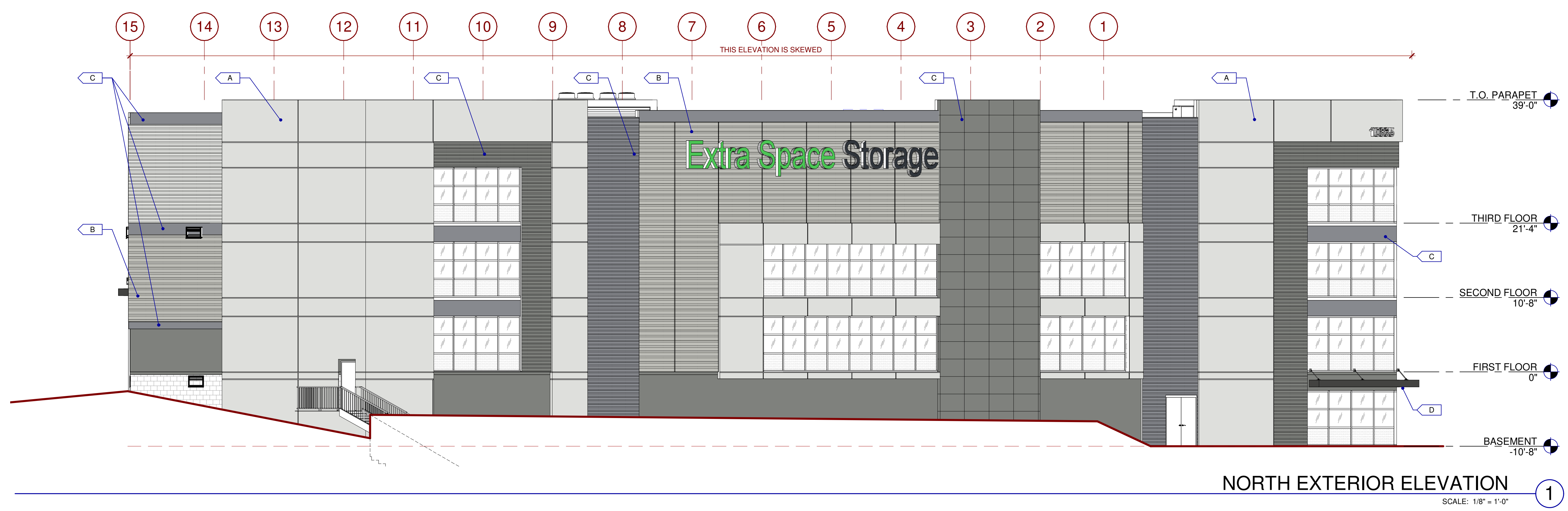
**KEY PLAN**

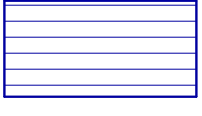
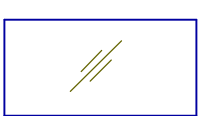
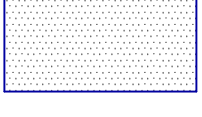


ELEVATIONS	
DATE	REMARKS

<b>P/APP:</b>	Approver
<b>DRAWN BY:</b>	Author
<b>JOB NO.:</b>	SDG23-4007-00

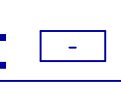
SHEET  
**A30**



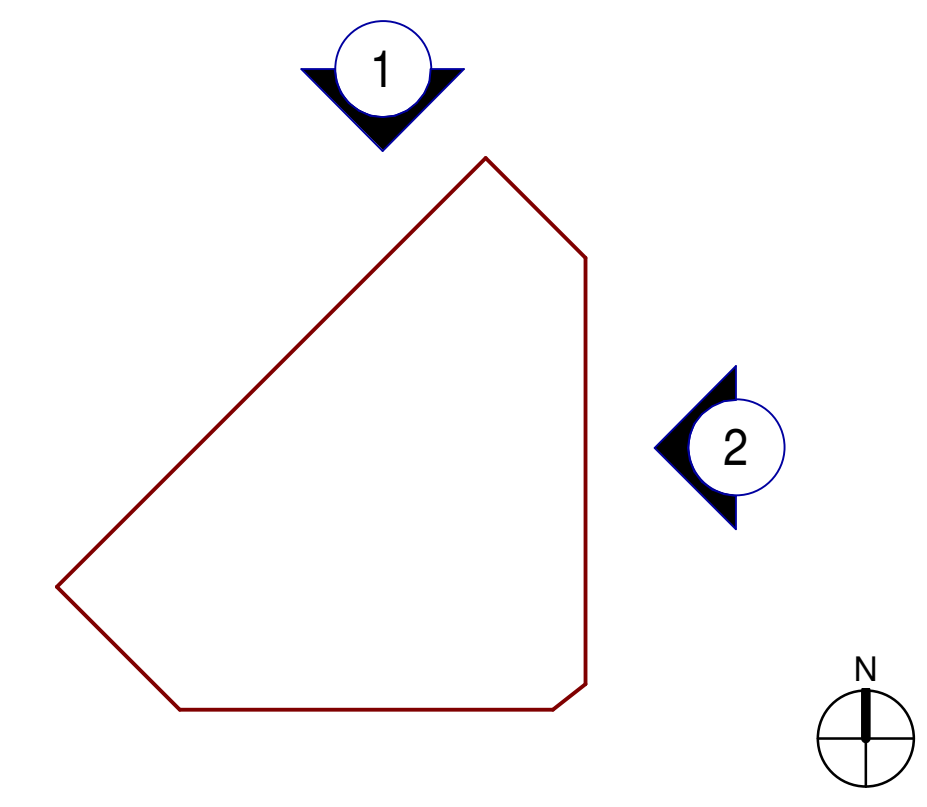
- MATERIALS:**
-  CORRUGATED METAL PANEL
  -  VISION GLASS
  -  TEMPERED GLASS

ALL GLASS USED ON THE ENVELOPE OF THE BUILDING TO BE:  
 XXXXXX  
 U FACTOR = 0.28 AND SHGC = 0.28  
 GLASS WIND LOAD RESISTANCE CALCULATIONS ARE UNDER SEPARATE PERMIT

- COLORS:**  
 PROVIDE 6" WIDE PAINT COLOR MOCK-UP FULL HEIGHT OF BUILDING FOR OWNER/ARCHITECT REVIEW.
-  BASE COLOR: NEBULOUS WHITE
  -  SECONDARY COLOR: ARGOS
  -  ACCENT COLOR: CITYSCAPE
  -  ACCENT COLOR: IRON ORE
  -  ACCENT COLOR: SILVERSMITH

**KEYNOTES:**   
 SEE SHEET A010 FOR GENERAL NOTES

**KEY PLAN**



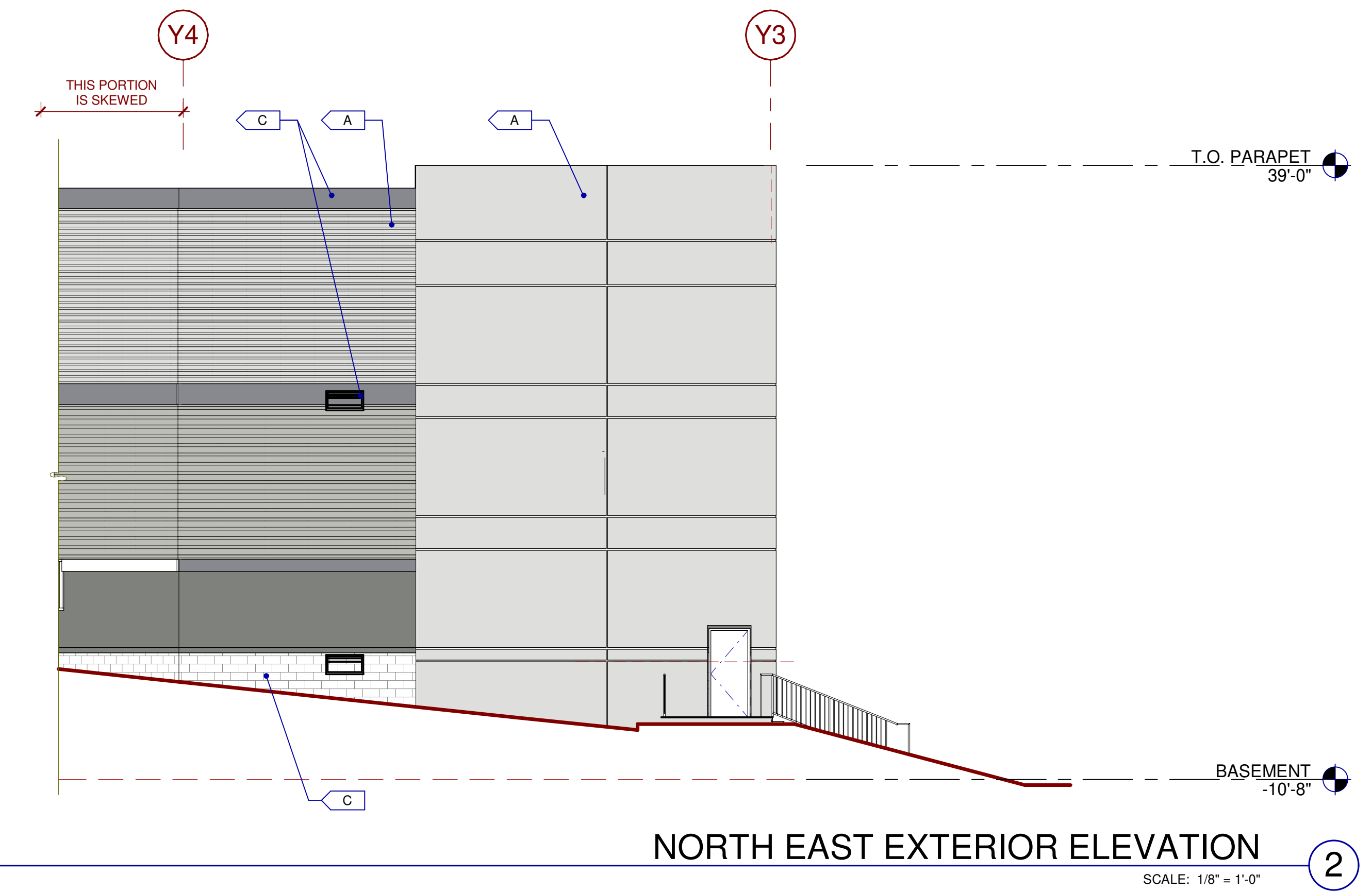
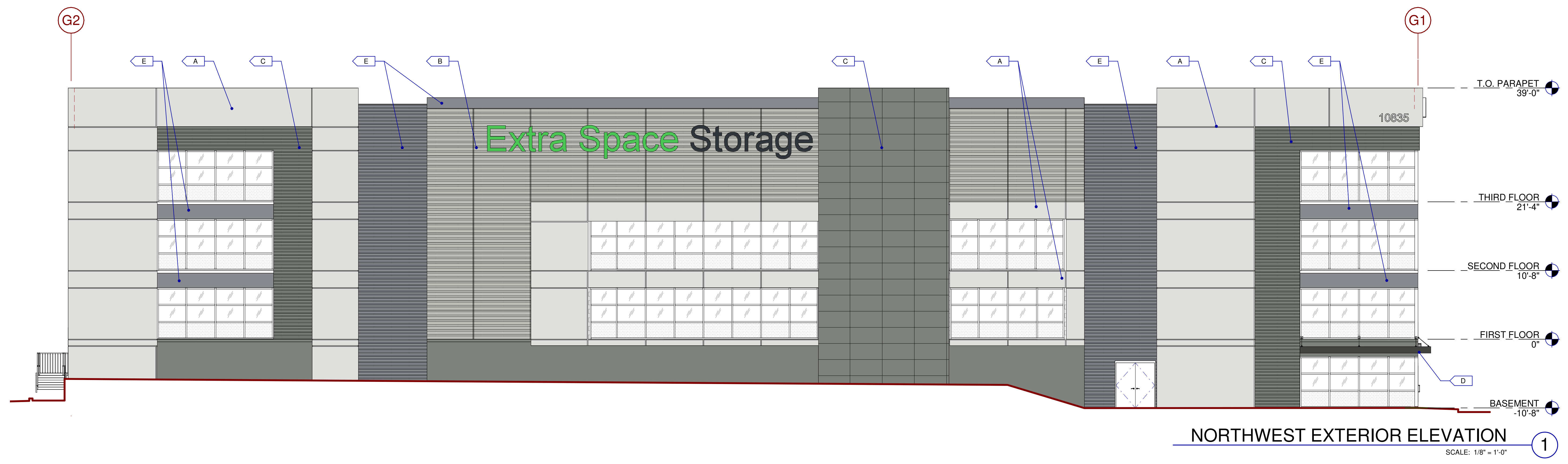
**EXTRA SPACE STORAGE**  
**SANTEE**  
 10835 WOODSIDE AVENUE  
 SANTEE, CALIFORNIA 92071


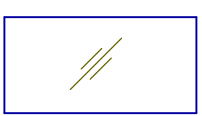

ELEVATIONS	
DATE	REMARKS

<b>P/APP:</b>	Approver
<b>DRAWN BY:</b>	Author
<b>JOB NO.:</b>	SDG23-4007-00

**SHEET**  
**A31**




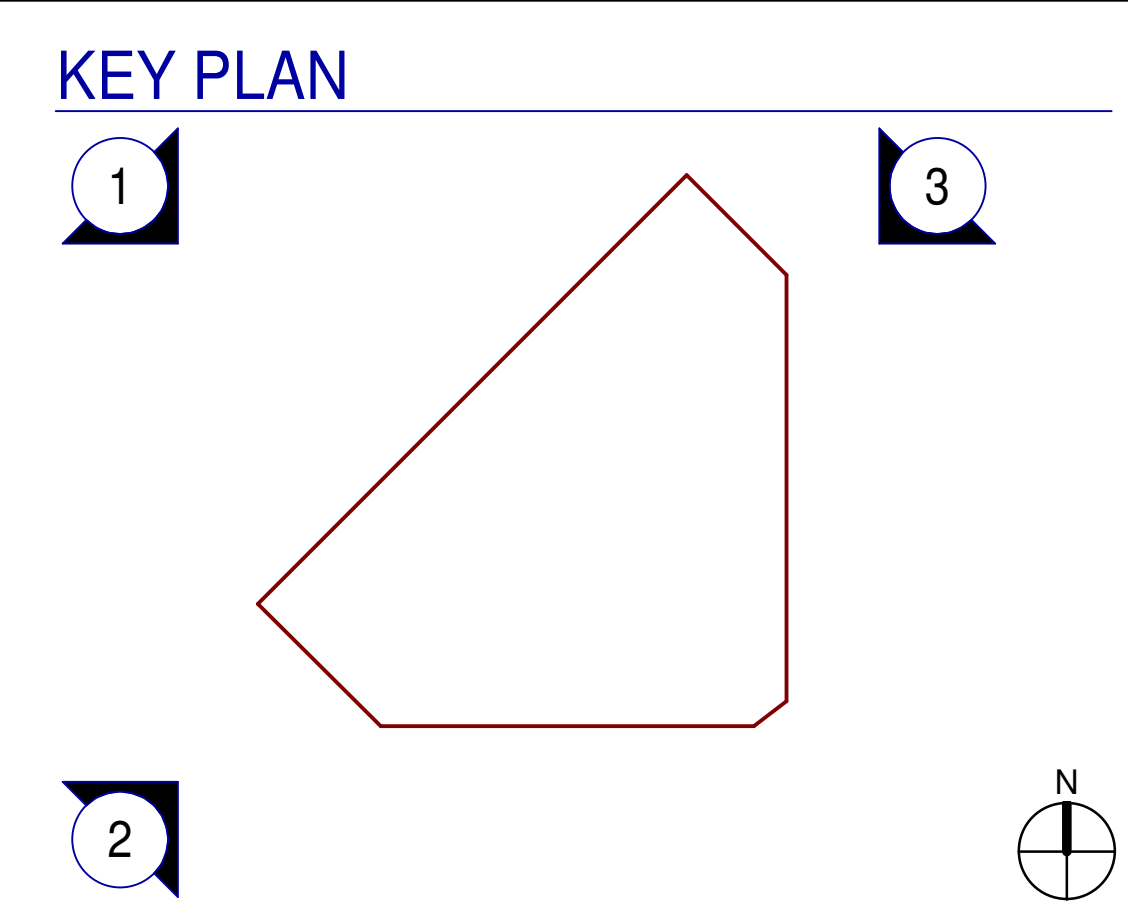


- MATERIALS:**
-  CORRUGATED METAL PANEL
  -  VISION GLASS
  -  TEMPERED GLASS

ALL GLASS USED ON THE ENVELOPE OF THE BUILDING TO BE:  
 XXXXXX  
 U FACTOR = 0.28 AND SHGC = 0.28  
 GLASS WIND LOAD RESISTANCE CALCULATIONS ARE UNDER SEPARATE PERMIT

- COLORS:**  
 PROVIDE 6"-0" WIDE PAINT COLOR MOCK-UP FULL HEIGHT OF BUILDING FOR OWNER/ARCHITECT REVIEW.
-  BASE COLOR: NEBULOUS WHITE
  -  SECONDARY COLOR: ARGOS
  -  ACCENT COLOR: CITYSCAPE
  -  ACCENT COLOR: IRON ORE
  -  ACCENT COLOR: SILVERSMITH

**KEYNOTES:**   
 SEE SHEET A010 FOR GENERAL NOTES



**EXTRA SPACE STORAGE**  
**SANTEE**  
 10835 WOODSIDE AVENUE  
 SANTEE, CALIFORNIA 92071

ELEVATIONS	
DATE	REMARKS

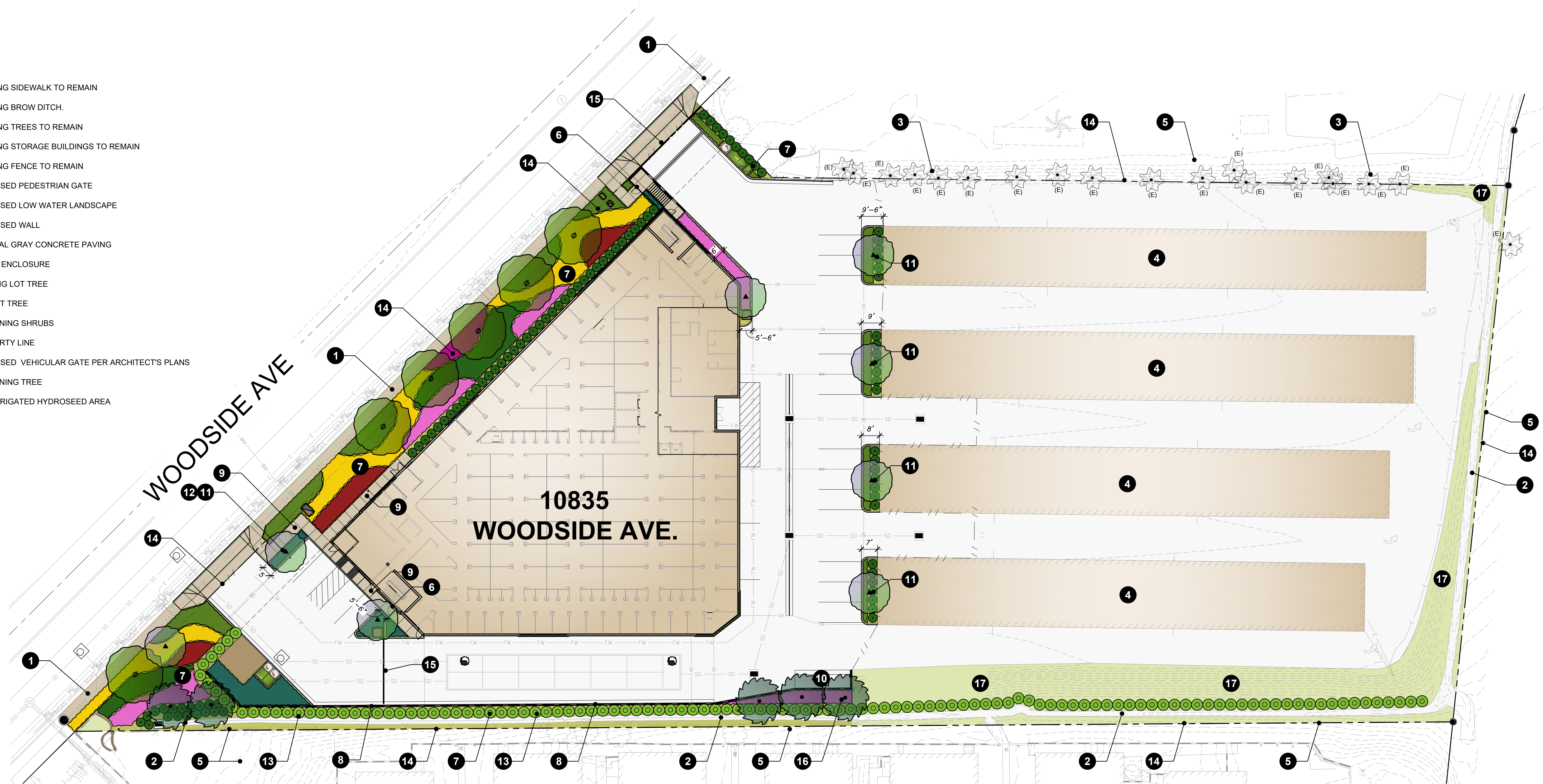
**P.A.P.M.:** Approver  
**DRAWN BY:** Author  
**JOB NO.:** SDG23-4007-00

**SHEET**  
**A32**



**LEGEND**

- 1 EXISTING SIDEWALK TO REMAIN
- 2 EXISTING BROW DITCH.
- 3 EXISTING TREES TO REMAIN
- 4 EXISTING STORAGE BUILDINGS TO REMAIN
- 5 EXISTING FENCE TO REMAIN
- 6 PROPOSED PEDESTRIAN GATE
- 7 PROPOSED LOW WATER LANDSCAPE
- 8 PROPOSED WALL
- 9 NATURAL GRAY CONCRETE PAVING
- 10 TRASH ENCLOSURE
- 11 PARKING LOT TREE
- 12 ACCENT TREE
- 13 SCREENING SHRUBS
- 14 PROPERTY LINE
- 15 PROPOSED VEHICULAR GATE PER ARCHITECT'S PLANS
- 16 SCREENING TREE
- 17 NON-IRRIGATED HYDROSEED AREA



**PROPOSED PLANT PALETTE**

TREES	SYMBOL	BOTANICAL NAME	COMMON NAME	SIZE / FORM	HT. X SPRD. X CAL. (MIN.)	WATER USE	DESCRIPTION	QTY.
		LAGERSTROEMIA INDICA	CRAPE MYRTLE	24" BOX STD.	8'H X 5'W X 4"C	M	FLOWERING TREE	8
		PINUS ELДАРICA	MONDELL PINE	24" BOX STD.	8-10'H X 4-5'W X 1 1/4"C	L	EVERGREEN TREE	5
		RHUS LANCEA	AFRICAN SUMMAC	24" BOX / STD.	25'H X 13' W X 1-1/4" CAL.	L	FLOWERING STREET TREE	6

**PROPOSED PLANT PALETTE**

SHRUBS, GRASSES, & GROUNDCOVERS			SYMBOL	KEY	BOTANICAL NAME	COMMON NAME	SIZE	SPACING	WATER USE	DESCRIPTION	QTY.
	CAR DIV	CAREX DIVULSA	BERKELEY SEDGE	1 GAL.	24" O.C.	L	ORNAMENTAL GRASS	445			
	DIA LR	DIANELLA 'LITTLE REV'	LITTLE REV FLAX LILY	1 GAL.	24" O.C.	L	UPRIGHT ACCENT	180			
	HES BL	HESPERALOE 'BRAKELIGHTS'	BRAKELIGHTS YUCCA	5 GAL.	36" O.C.	VL	UPRIGHT ACCENT	78			
	LAN NG	LANTANA 'NEW GOLD'	NEW GOLD LANTANA	5 GAL.	36" O.C.	VL	FLOWERING LOW SHRUB	242			
	OLE MON	OLEA 'MONTRA'	LITTLE OLLIE	5 GAL.	48" O.C.	L	LARGE SHRUB	18			
	POD GRA	PODOCARPUS GRACILIOR	FERN PINE	15 GAL.	60" O.C.	M	LARGE SCREENING HEDGE	116			
	RHA CLA	RHAMPHOLEPIS INDICA 'CLARA'	INDIAN HAWTHORN	5 GAL.	36" O.C.	L	EVERGREEN SHRUB	175			
	SAL GRE	SALVIA GREGGII	AUTUMN SAGE	5 GAL.	36" O.C.	L	FLOWERING SHRUB	30			
	WES WG	WESTRINGIA 'WYNYABBIE GEM'	COAST ROSEMARY	5 GAL.	36" O.C.	L	EVERGREEN HEDGE	125			
NON-IRRIGATED HYDROSEED MIX											
	HYD MIX	S & S SEEDS - BASIC NATIVE EROSION CONTROL MIX	HYDROSEED LBS. PER ACRE				NATIVE SEED MIX				
		BROMUS CARINATUS 'CUCAMONGA'	CUCAMONGA BROME	20		L					
		FESTUCA MICROSTACHYS	SMALL FESCUE	8		L					
		TRIFOLIUM CILIATUM	FOOTHILL CLOVER	4		L					

WATER USE KEY:  
 VL = VERY LOW WATER USE, L = LOW WATER USE, M = MODERATE WATER USE, H = HIGH WATER USE. WATER USE STATED IS PER WATER USE CLASSIFICATION OF LANDSCAPE SPECIES (ALSO REFERRED TO AS WUCOLS IV) FOR THE CITY OF SANTEE.

**EXISTING PLANT SCHEDULE**

TREES	SYMBOL	BOTANICAL NAME	COMMON NAME	COMMENTS
		WASHINGTONIA ROBUSTA	MEXICAN FAN PALM	-

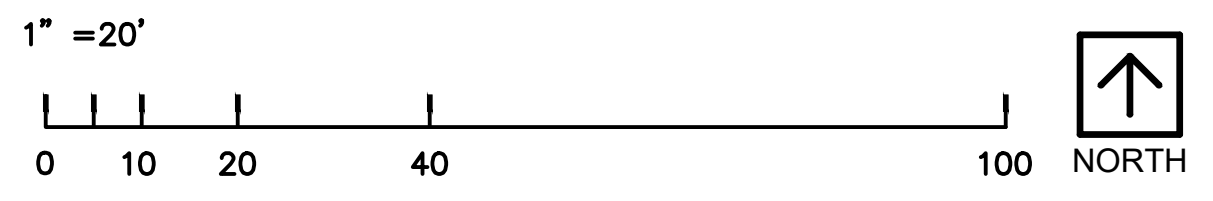
NOTE: THE LETTER (E) NEXT TO A TREE SYMBOL INDICATES AN EXISTING TREE TO BE PROTECTED IN PLACE. THE LETTER (R) INDICATES AN EXISTING TREE TO BE REMOVED FROM SITE.

**LANDSCAPE TABULATIONS:**  
 ZONE: GENERAL COMMERCIAL  
 GROSS LOT SIZE: 122,244 S.F. / 2.80 AC  
 PROVIDED SITE LANDSCAPE AREA: 12,912 S.F. (10%)  
 PROVIDED PARKING AREA: 11,528 S.F.  
 PARKING LOT TREES REQUIRED (1 PER 3 STALLS): 6  
 PARKING LOT TREES PROVIDED (1 PER 3 STALLS): 7  
 REQUIRED PARKING LANDSCAPE AREA: 1,153 SF. (10%)  
 PROVIDED PARKING LANDSCAPE AREA: 1,153 SF. (10%)

**STATEMENT OF COMPLIANCE**  
 I HAVE COMPLIED WITH THE CRITERIA OF THE ORDINANCE AND APPLIED THEM FOR THE EFFICIENT USE OF WATER IN THE LANDSCAPE DESIGN PLAN.  
 TRAVIS EBBERT, LANDSCAPE ARCHITECT RLA #4624 05-28-2024 DATE

**Appendix A Water Efficient Landscape Worksheet**

Reference Evapotranspiration (ET <sub>a</sub> )	51.1	Project Type	Non-Residential	0.45	
Hydrozone # / Planting Description *	Plant Factor (PF)	Irrigation Method	ETAF (PF/ET)	ETAF x Area (Sq. Ft.)	Estimated Total Water Use (ETWL) #
<b>Regular Landscape Areas</b>					
1- Shrub Drip (LOW)	0.2	Drip	0.81	0.25	10114
2- Shrub Drip (MOD)	0.6	Drip	0.81	0.74	2810
3- Tree Bubbler (MOD)	0.6	Bubbler	0.77	0.78	64
3- Tree Bubbler (LOW)	0.2	Bubbler	0.77	0.26	104
					27
					856
				Totals	13092
					4656
					147500
<b>Special Landscape Areas</b>					
SLA-1	N/A			1	0
				0	0
				0	0
				Totals	0
					0
					147,500
					186,651
<b>Maximum Allowed Water Allowance (MAWA) Gallons #</b>					
* Hydrozone # / Planting Description e.g. 1) Drip Low water use planting					
* Irrigation Method 1) Overhead Spray					
* Irrigation Efficiency (IE) % 1) 0.75 for Spray Head					
* ETAF (Annual Gallons Required) = Eto x 0.62 x ETAF x Area					
* MAWA (Annual Gallons Allowed) = (Eto) (0.62) (ETAF x LA) + (0.1-ETAF) x SLA					
Where 0.62 is a conversion factor to change acre-inches per acre per year to gallons per square foot per year. LA is the total regular landscape area in square feet, SLA is the total special landscape area in square feet, and ETAF is 0.55 for residential areas and 0.45 for non-residential areas.					
<b>ETAF Calculations</b>					
<b>Regular Landscape Areas</b>					
Total ETAF x Area		4656			
Total Area		13092			
Average ETAF		0.36			
<b>All Landscape Areas</b>					
Total ETAF x Area		4629	(B+D)		
Total Area		12988	(A+C)		
Average ETAF		0.36	(B+D) ÷ (A+C)		



Schematic Design

PRELIMINARY LANDSCAPE PLAN

10835 Woodside Ave,  
 Santee, CA 92071

**WARE MALCOMB**

LAX21-0176-00  
 05.28.2024  
 PLANNING SUBMITTAL

SHEET  
 L1.1